

FITS POLARIS RZR
2014-2020 XP MODELS
(PLASTIC INNER CLUTCH CASE)



SCORPION WORX[®] CLUTCH COVER QUICK RELEASE PIN KIT POLARIS

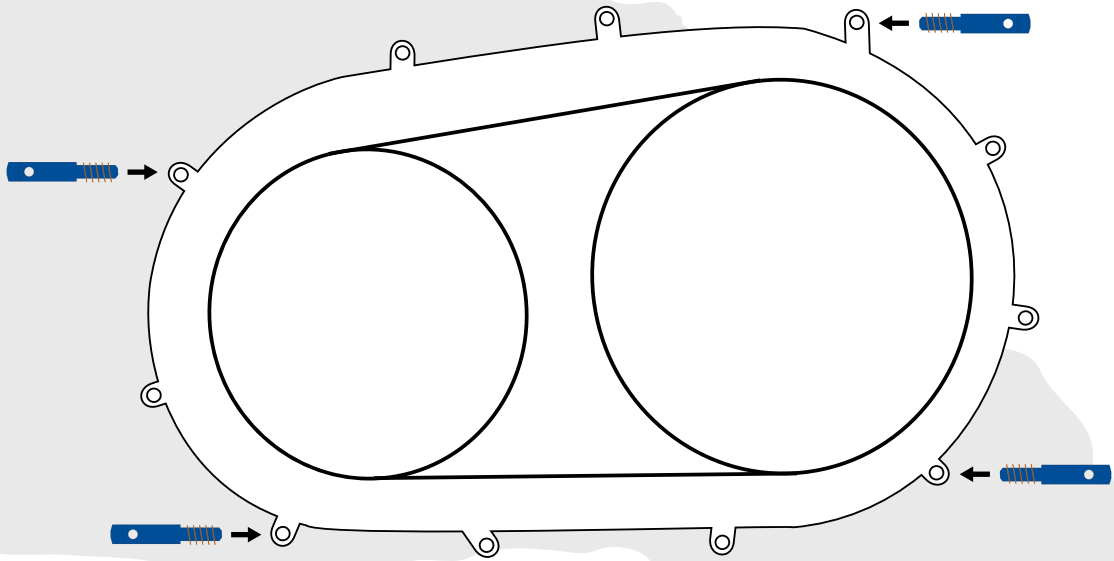
REQUIRED TOOLS: 5MM SOCKET OR WRENCH
DRILL & 1/8" DRILL BIT

INSTALLATION INSTRUCTIONS:

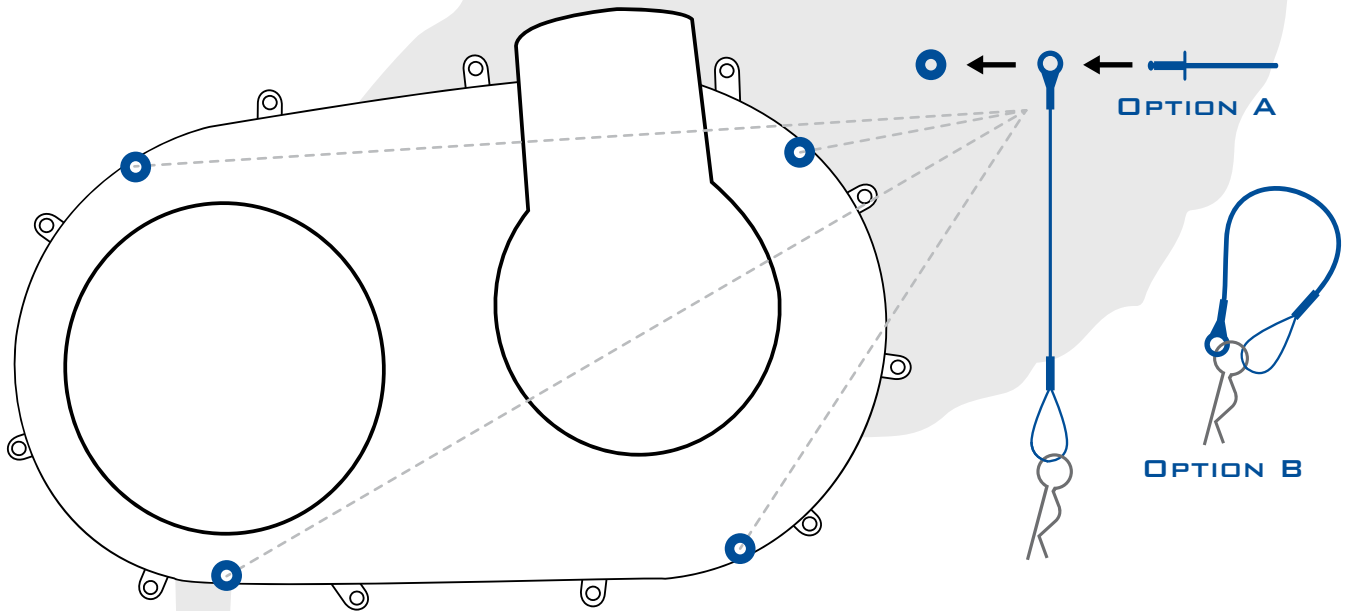
TO INSTALL QUICK RELEASE STUDS, LEAVE CASE COVER ON AND REMOVE STOCK SCREWS. INSTALL QUICK RELEASE STUDS. HAIR PIN CLIPS SHOULD FIT TIGHTLY WHEN INSERTED. YOU SHOULD HAVE TO SQUEEZE OUTER CASE INTO THE INNER CASE TO INSTALL OR REMOVE HAIR PINS CLIPS.

TO INSTALL WIRE LANYARDS, USE A 1/8" DRILL BIT TO DRILL HOLES FOR RIVETS. HOLES SHOULD BE CLOSE TO QUICK RELEASE STUD LOCATIONS IN SIDE WALL OF CASE COVER. USE WASHERS ON THE OPPOSITE SIDE OF THE RIVET. INSTALL ORDER: RIVET, LANYARD, CASE COVER, WASHER.

INSIDE CLUTCH CASE



CLUTCH CASE COVER



FOR QUESTIONS AND ADDITIONAL INFORMATION VISIT US ON-LINE TODAY.

WWW.SCORPIONWORX.COM

© 2020 SCORPION WORX. ALL RIGHTS RESERVED.